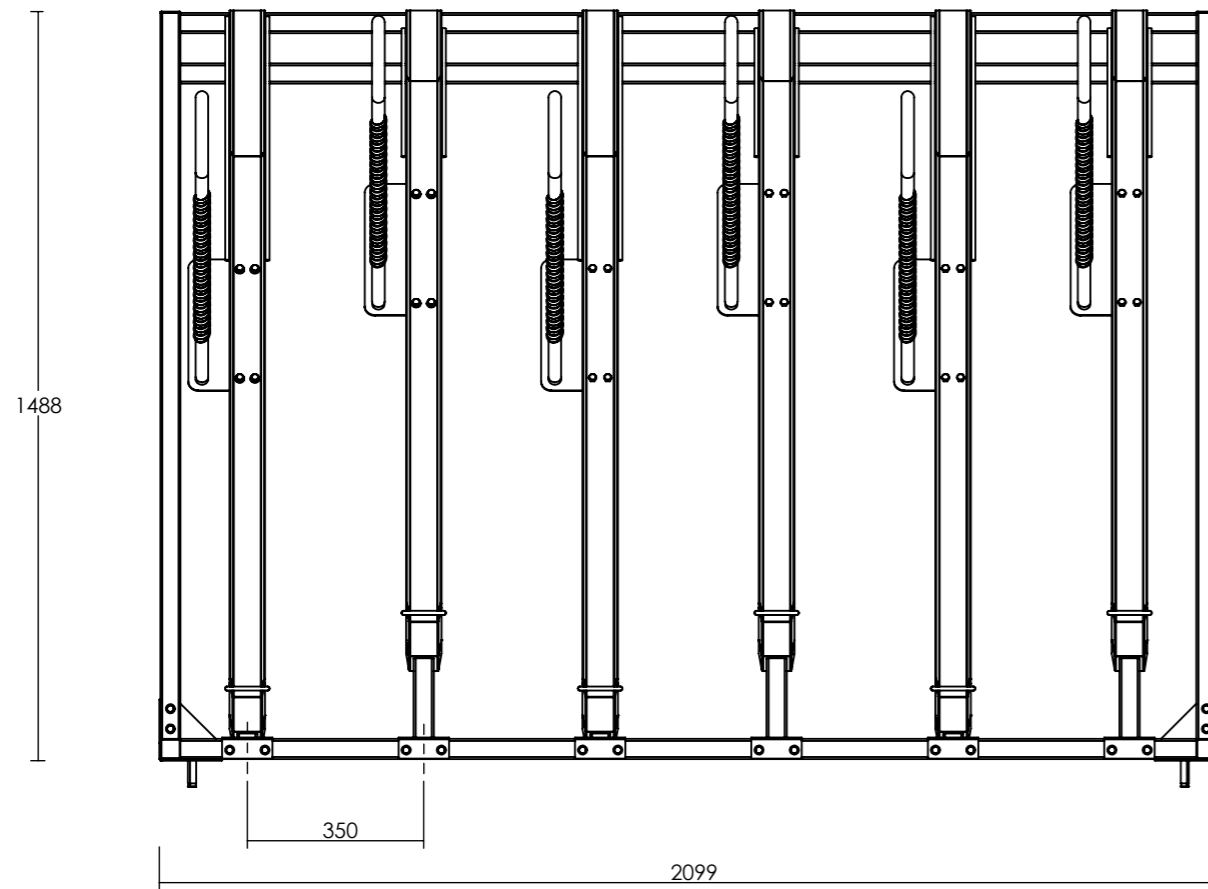
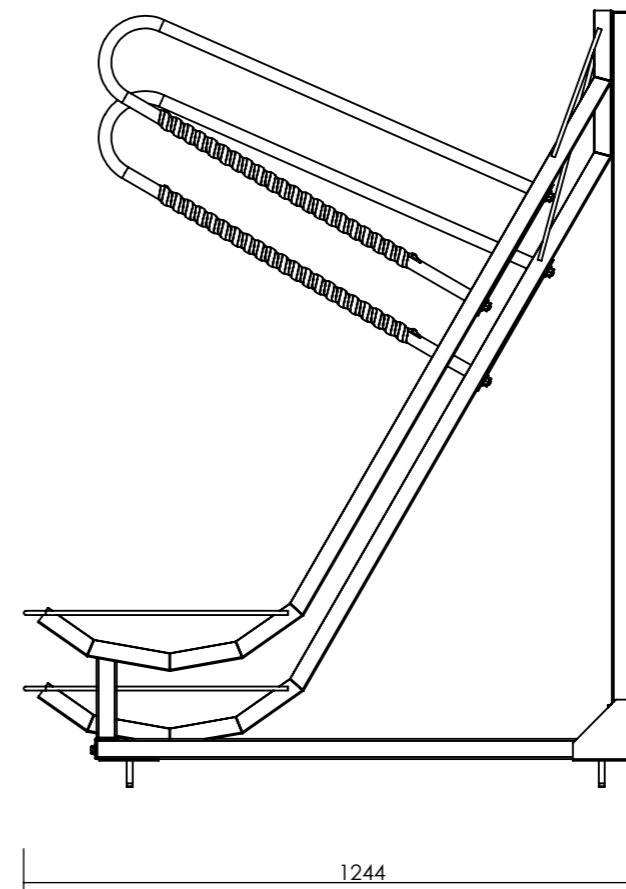



Front View



Side View



MATERIAL DESCRIPTION: VARIOUS				
FINISH: GALVANIZED		WEIGHT: kg		
SCALE: 1:50 AT A3		SW FILE: BRV26 MARK III-Isometric Drawing		
LINEAL TOLERANCES		ANGULAR TOLERANCES		
1.0 to 250 ± 0.2	250 to 500 ± 0.5	500 to 1000 ± 1.0	1000 to 5000 ± 2.5	± 0.5°
 THIRD ANGLE PROJECTION				



HEAD OFFICE: 18 Reliance Drive, Tuggerah NSW 2258
 Phone +61 2 4353 3377 - Fax +61 2 4353 2255 - Email lvsales@l-v.com.au
 © COPYRIGHT 2015 - ALL INTELLECTUAL PROPERTY RIGHTS RESERVED

ISSUED FOR: MANUFACTURE		DRAWN BY: HUI CHEN	
JOB No.	CLIENT/SITE:	APPROVED BY: -	
-	-		
MODEL DESCRIPTION: BRV26 MARK III ASSM			
ITEM: LS80773	REV: D2 INDEX: -	DRAWING DATE: 2018/5/8	SHEET: 1 OF 1