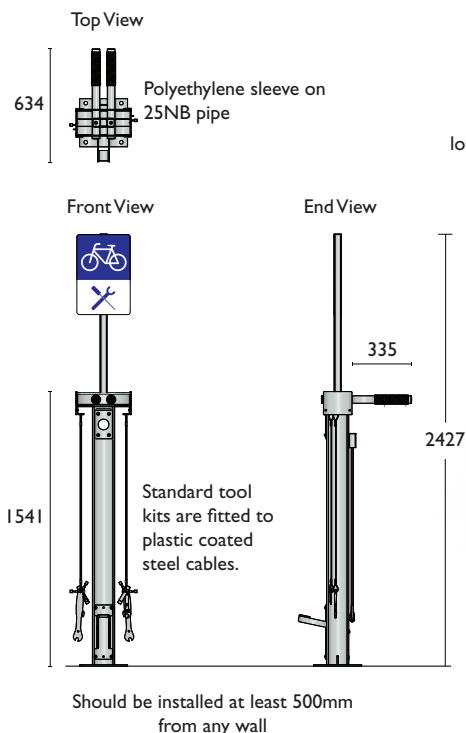


Introduction	1
Bicycle Facts	4
Design Guide	6
Product Selection	7
Consulting	12
Installation	13
Security Classes	14
PRODUCT RANGE	
Rails	15
Racks	23
Repair Stations	46
End-of-Journey	50
Cages	64
Lockers	68
Shelters	74
Scooters Racks	78
Other Products	80
AS2890.3 Overview	82
Packaging	85
Index	86

Repair Stations

BBS01

PLEASE NOTE: This product comes in galvanised finish as standard. However, it can be powder coated in a range of colours at an additional cost to suit requirements.



Bike repair signage
300 x 450

Suitable for both indoor and outdoor locations, it provides a sturdy repair station for servicing and maintenance.



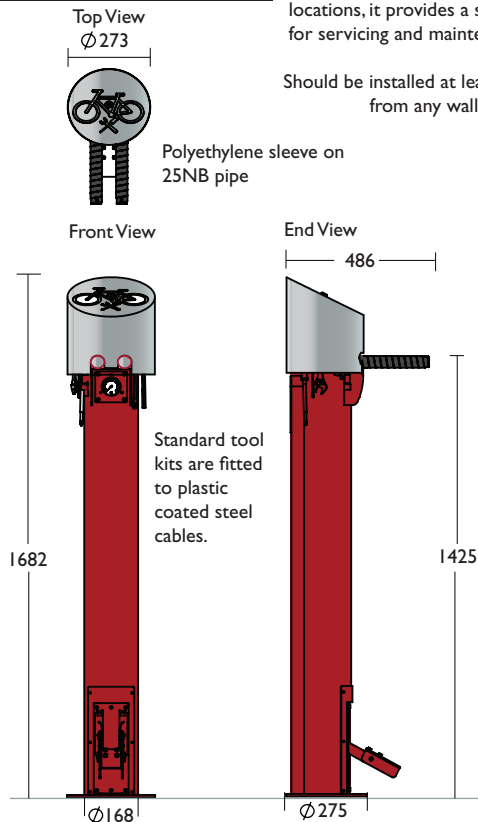
Optional signage:
"This repair station is under electronic surveillance, vandals will be prosecuted."



BBS02

Suitable for both indoor and outdoor locations, it provides a sturdy repair station for servicing and maintenance.

Should be installed at least 500mm from any wall



Bike repair signage

Optional signage:
"This repair station is under electronic surveillance, vandals will be prosecuted."

Vandal resistant mesh cover to pressure gauge



Both Presta and Schrader valves included

Material Specifications (General)

BBS01	120 x 120 x 2.8mm SHS / Hot dipped galvanised
BBS02	Ø168 / Ø273 Hot dipped galvanised pipe
Cable	5mm steel crimped wire rope

LATEST MODEL