

Multiple Hitching Rail
HRB2/3/4/5

Many of Securabike's Bicycle Rails are supplied as individual units that can be bolted to Base Rails to accommodate 2, 3, 4 or 5 units. The system eliminates the need to provide multiple concrete footings and is ideal for use over paved or bitumen surfaces.

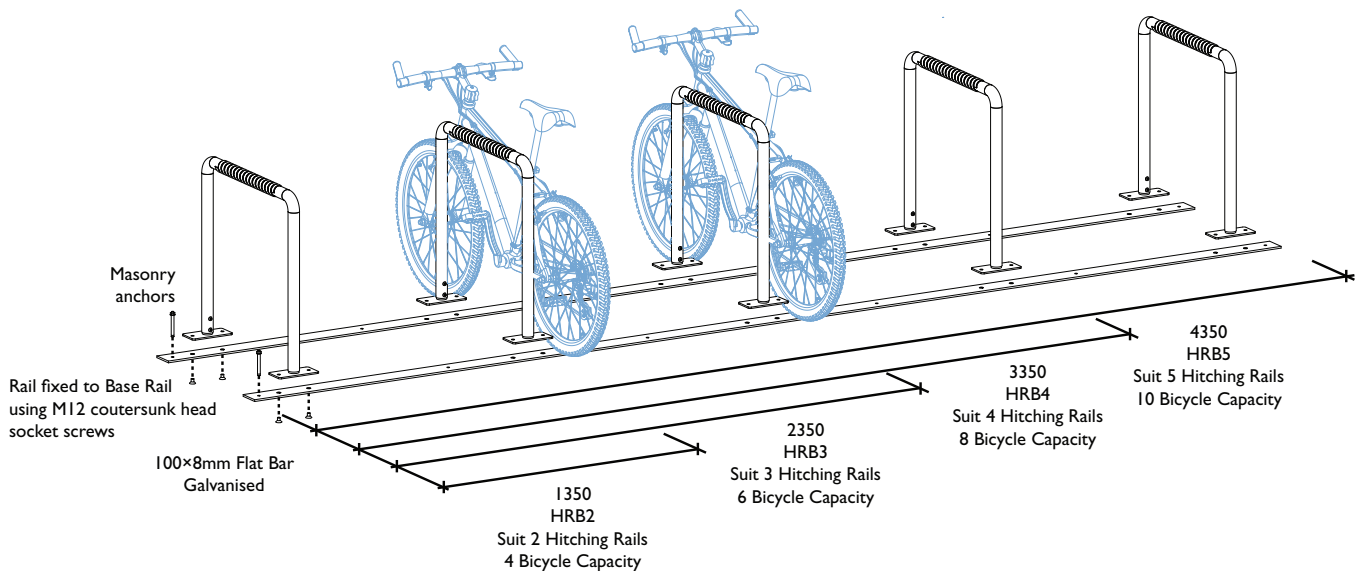
PLEASE NOTE: Stainless steel products comes in finished finish as standard or it can be electropolished at an additional cost.

Typical Installation Example
BR11B Bicycle Rail
illustrated



HRB5 illustrated
Suits 5 Hitching Rails
10 Bicycle Capacity

NOTE Also available in stainless steel. Add "S" to the prefix model no. when ordering (SHRB)



Bicycle rails should be installed at 1000 centres to conform to AS2890.3 requirements allowing easy access for cyclists.

Material Specifications (General)

Mild steel 100 x 8mm Mild steel flat bar / Galvanised
Stainless steel 100 x 8mm Stainless flat bar / Linished finish

